


DOUBLE CLAMP TOOLHOLDER

High rigidity toolholder

- Stable machining and long tool life for inserts.

- 
- Exact insert position even at high feed rate and heavy duty machining.

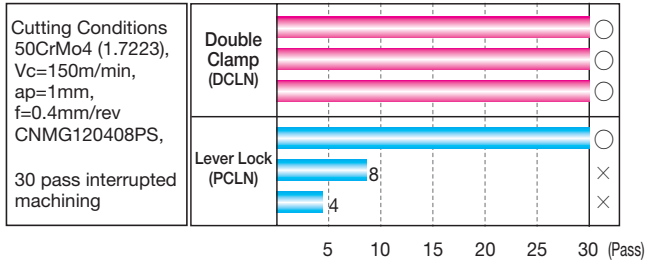
Hochbiegefester Werkzeughalter Grande rigidité du porte outil

- Stabile Bearbeitung und lange Standzeiten der WSP.
- Exakte Position der WSP selbst bei hohen Vorschüben und schwerer Bearbeitung.
- Usinage stable et longue durée de vie pour les plaquettes.
- Positionnement plaquette précis pour haute vitesse de coupe et usinage d'ébauche lourde .

Portainserito con alta rigidità


- Lavorazioni stabili e lunga durata dell'inserto.
- Posizione inserto precisa anche ad alti avanzamenti e durante lavorazioni pesanti .

Long Insert tool life
Lange Standzeit der Wendeschneidplatte
Longue durée de vie plaquette
Vita utensile lunga




Comparison of shim and insert contact
Vergleich Kontakt der Zwischenlage und Schneidplatte
Comparaison des points de contacts de la plaquette
Confronto della chiusura e del contatto inserto

PS Chipbreaker




Shim contact surface of double clamp



Shape of insert transferred. High level of contact. Abdruck der WSP übertragen. Hohe Kontaktrate. Forme de la plaquette transférée Haut point de contact. Forma dell'impronta trasferita dall'inserto. Livello di contatto alto.


Shim contact surface of lever lock

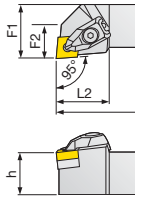


Partially shape of insert transferred. Low level of contact. Form der WSP partiell übertragen. Geringe Kontaktrate. Forme de la plaquette transférée partiellement. Faible point de contact. Forma parziale dell'impronta trasferita dall'inserto. Livello di contatto basso.

Toolholder Lineup

● **DCLN(External / Facing)**






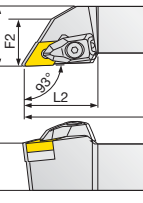
Side Rake Angle: -6°
Inclination Angle: -6°

·Right-hand Shown

Description	Stock		Dimension (mm)						Std. Corner-R(°)	Spare Parts						
	R	L	Ht-h	B	L1	L2	F1	F2		Clamp	Screw	Spring	Shim	Shim Screw	Wrench	Wrench(Optional)
DCLN% 2020K-12	●	●	20	20	125	33	25	20	0.8							
2525M-12	●	●	25	25	150		32	20								

● **DDJN(External / Copying)**





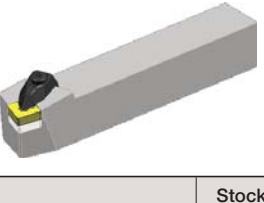
Side Rake Angle: -6°
Inclination Angle: -7°

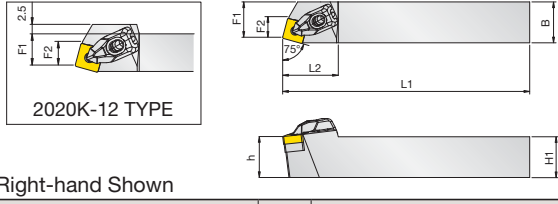
·Right-hand Shown

Description	Stock		Dimension (mm)						Std. Corner-R(°)	Spare Parts						
	R	L	Ht-h	B	L1	L2	F1	F2		Clamp	Screw	Spring	Shim	Shim Screw	Wrench	Wrench(Optional)
DDJN% 2020K-1504	●	●	20	20	125	39	25	-	0.8				DD-44	SB-4085TR	LW-3	FT-15
2525M-1504	●	●	25	25	150		32	25		DD-43						
DDJN% 2020K-1506	●	●	20	20	125	39	25	-	0.8				DD-43	SB-4085TR	LW-3	FT-15
2525M-1506	●	●	25	25	150		32	25		DD-44						

The shims inside () do not come with the holders. In the case of changing the insert thickness size, please purchase the corresponding shim separately.

● **DSBN(External)**





Side Rake Angle: -6°
Inclination Angle: -6°

·Right-hand Shown

Description	Stock		Dimension (mm)						Std. Corner-R(°)	Spare Parts						
	R	L	Ht-h	B	L1	L2	F1	F2		Clamp	Screw	Spring	Shim	Shim Screw	Wrench	Wrench(Optional)
DSBN% 2020K-12	●	●	20	20	125	34	17	13	0.8					SB-4085TR	LW-3	FT-15
2525M-12	●	●	25	25	150		22			13						

●:Std. stock

Improved Clamping Rigidity
Verbesserte Stabilität der Klemmung
Inclus bridge rigide
Migliora la rigidità di chiusura



The insert gets clamped in two directions with one action.
 Die Schneidplatte wird in zwei Richtungen, mit einer Bewegung geklemmt.
 La plaquette est bridée dans 2 directions avec une seule action
 L'inserto è chiuso in due direzioni con una sola azione.

DDHN(External / Facing / Copying)

			Side Rake Angle:-6° Inclination Angle:-6°		Applicable Insert											
					Holder Description	Insert Description										
						<table border="1"> <tr> <td>DDHN^{R/L}...-1504</td> <td>DN ○ A</td> <td>1504.. (1506..)</td> </tr> <tr> <td>DDHN^{R/L}...-1506</td> <td>DN ○ G DNMM</td> <td>1506.. (1504..)</td> </tr> </table>	DDHN^{R/L}...-1504	DN ○ A	1504.. (1506..)	DDHN^{R/L}...-1506	DN ○ G DNMM	1506.. (1504..)				
DDHN^{R/L}...-1504	DN ○ A	1504.. (1506..)														
DDHN^{R/L}...-1506	DN ○ G DNMM	1506.. (1504..)														
Description	Stock		Dimension (mm)						Std. Corner-R(€)	Spare Parts						
	R	L	H1-h	B	L1	L2	F1	F2		Clamp	Screw	Spring	Shim	Shim Screw	Wrench	Wrench(Optional)
DDHN^{R/L} 2020K-1504	●	●	20	20	125	37	25	22	0.8							
2525M-1504	●	●	25	25	150		32	22								
DDHN^{R/L} 2020K-1506	●	●	20	20	125	37	25	22	0.8							
2525M-1506	●	●	25	25	150		32	22								

The shims inside () do not come with the holders. In the case of changing the insert thickness size, please purchase the corresponding shim separately.

DTGN(External)

			Side Rake Angle:-6° Inclination Angle:-6°		Applicable Insert											
					Holder Description	Insert Description										
						<table border="1"> <tr> <td>DTGN^{R/L}...-16</td> <td>TN ○ A TN ○ G TNMM</td> <td>1604..</td> </tr> </table>	DTGN^{R/L}...-16	TN ○ A TN ○ G TNMM	1604..							
DTGN^{R/L}...-16	TN ○ A TN ○ G TNMM	1604..														
Description	Stock		Dimension (mm)						Std. Corner-R(€)	Spare Parts						
	R	L	H1-h	B	L1	L2	F1	F2		Clamp	Screw	Spring	Shim	Shim Screw	Wrench	Wrench(Optional)
DTGN^{R/L} 2020K-16	●	●	20	20	125	25	25	20	0.8							
2525M-16	●	●	25	25	150	25	32	20								


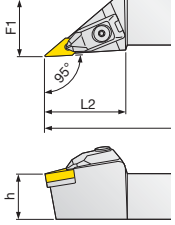
DWLN(External / Facing)

			Side Rake Angle:-6° Inclination Angle:-6°		Applicable Insert											
					Holder Description	Insert Description										
						<table border="1"> <tr> <td>DWLN^{R/L}...-08</td> <td>WN ○ A WN ○ G</td> <td>0804..</td> </tr> </table>	DWLN^{R/L}...-08	WN ○ A WN ○ G	0804..							
DWLN^{R/L}...-08	WN ○ A WN ○ G	0804..														
Description	Stock		Dimension (mm)						Std. Corner-R(€)	Spare Parts						
	R	L	H1-h	B	L1	L2	F1	F2		Clamp	Screw	Spring	Shim	Shim Screw	Wrench	Wrench(Optional)
DWLN^{R/L} 2020K-08	●	●	20	20	125	34	25	20	0.8							
2525M-08	●	●	25	25	150	34	32	20								

Shim wrenches (FT-10/FT-15) are sold separately


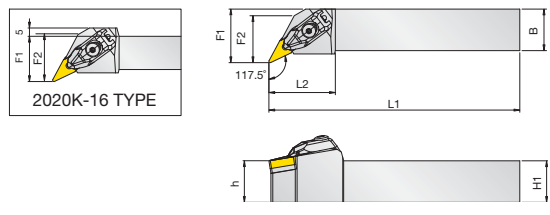
●Std. stock

●DVLN(External / Copying)

		Side Rake Angle:-6° Inclination Angle:-9°						
		· Applicable Insert						
<table border="1"> <thead> <tr> <th>Holder Description</th> <th colspan="2">Insert Description</th> </tr> </thead> <tbody> <tr> <td>DVLN^{R/L} ...-16</td> <td>VN[○]A VN[○]G</td> <td>1604..</td> </tr> </tbody> </table>		Holder Description	Insert Description		DVLN^{R/L} ...-16	VN[○]A VN[○]G	1604..	
Holder Description	Insert Description							
DVLN^{R/L} ...-16	VN[○]A VN[○]G	1604..						

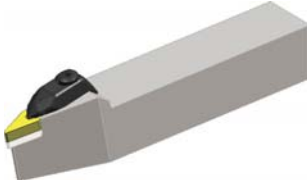
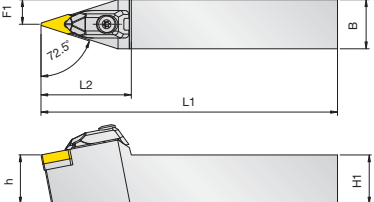
·Right-hand Shown








●DVPN(External / Facing / Copying / Undercutting)

		Side Rake Angle:-13° Inclination Angle:-10°						
		· Applicable Insert						
<table border="1"> <thead> <tr> <th>Holder Description</th> <th colspan="2">Insert Description</th> </tr> </thead> <tbody> <tr> <td>DVPN^{R/L} ...-16</td> <td>VN[○]A VN[○]G</td> <td>1604..</td> </tr> </tbody> </table>		Holder Description	Insert Description		DVPN^{R/L} ...-16	VN[○]A VN[○]G	1604..	
Holder Description	Insert Description							
DVPN^{R/L} ...-16	VN[○]A VN[○]G	1604..						

·Right-hand Shown

●DVVN(External / Copying)

		Back Rake Angle:-11°						
		· Applicable Insert						
<table border="1"> <thead> <tr> <th>Holder Description</th> <th colspan="2">Insert Description</th> </tr> </thead> <tbody> <tr> <td>DVVNN ...-16</td> <td>VN[○]A VN[○]G</td> <td>1604..</td> </tr> </tbody> </table>		Holder Description	Insert Description		DVVNN ...-16	VN[○]A VN[○]G	1604..	
Holder Description	Insert Description							
DVVNN ...-16	VN[○]A VN[○]G	1604..						

Description	Stock		Dimension (mm)							Std.Corner-R(℞)	Spare Parts						
	R	N	L	H1-h	B	L1	L2	F1	F2		Clamp	Screw	Spring	Shim	Shim Screw	Wrench	Wrench(Optional)
																	
DVLN^{R/L} 2020K-16	●		●	20	20	125	45	25	-	0.8	CP-5D	CS-5D	SP-5D	DV-33	SB-4085TR	LW-3	FT-15
2525M-16	●		●	25	25	150		32									
DVPN^{R/L} 2020K-16	●		●	20	20	125	40	27	28								
2525M-16	●		●	25	25	150		32									
DVVNN 2020K-16		●		20	20	125	46	10	-								
2525M-16		●		25	25	150		12.5									

●:Std. stock

THE NEW VALUE FRONTIER



www.kyocera.eu
ceratip@kyocera.de

KYOCERA Fineceramics GmbH
Cutting Tool Division
Hammfelddamm 6, 41460 Neuss, Germany
Phone: +49 (0) 2131 1637-115 Fax: +49 (0) 2131 1637-152
www.kyocera.de

KYOCERA Fineceramics GmbH Italy Branch Office
Cutting Tool Division
Via Torino 51, 20123 Milan, Italy
Phone: +39-02 00620 845 Fax: +39-02 00620 848
www.kyocera.it

KYOCERA Fineceramics SAS.
Cutting Tool Division,
4, allée du Commandant Mouchotte, Paray-vieille-poste, 91781,Wissous Cedex, France
Phone: +33 (0) 1 45 12 06 93 Fax: +33 (0) 1 56 72 18 94
www.kyocera.fr

KYOCERA Fineceramics GmbH sp. z o.o. Poland Branch Office
Cutting Tool Division
Leg. ul.Europejska 4, 55-220, Jelcz-Laskowice, Poland
Phone: +48-(0)71-381-12-15 Fax: +48-(0)71-381-12-16