

seit
1978



EROGU®
Präzisionswerkzeuge

Broschüre BRO-2305

Precision Tooling System

Hassas Tutucu Takım Sistemleri



DOPPELKONTAKT ERP
DOUBLE CONTACT ERP
EROGU ER-PLUS



DOPELCONTACT
DOUBLE CONTACT
DIN ISO 7388-1
SK ER-PLUS

Spannfutter ER

Collet chucks ER

Mandrin à pinces ER

Bestell-Nr. Order-No. Reference	SK	Form	Spannbereich Capacity Capacite	d	A	D	D1	L1	L2	kg
302.02.10.70.ERP	SK 30 ERP	AD	ER16 (1-10)		70	28	-	-	32	0,54
302.02.10.100.ERP	SK 30 ERP	AD	ER16 (1-10)		100	28	-	-	32	0,67
302.02.16.70.ERP	SK 30 ERP	AD	ER25 (2-16)		70	42	-	-	42	0,68
302.02.16.100.ERP	SK 30 ERP	AD	ER25 (2-16)		100	42	-	-	42	0,99
302.02.20.70.ERP	SK 30 ERP	AD	ER32 (2-20)		70	50	-	-	48	0,67
302.02.20.100.ERP	SK 30 ERP	AD	ER32 (2-20)		100	50	-	-	48	0,95
302.02.26.70.ERP	SK 30 ERP	AD	ER40 (3-26)		70	63	-	-	55	0,82

403.02.10.63.ERP	SK 40 ERP	AD/B	ER16 (1-10)		63	28	-	-	32	0,93
403.02.10.100.ERP	SK 40 ERP	AD/B	ER16 (1-10)		100	28	-	-	32	1,08
403.02.16.60.ERP	SK 40 ERP	AD/B	ER25 (2-16)		60	42	-	-	52	1,01
403.02.16.100.ERP	SK 40 ERP	AD/B	ER25 (2-16)		100	42	-	-	42	1,41
403.02.20.70.ERP	SK 40 ERP	AD/B	ER32 (2-20)		70	50	-	-	48	1,20
403.02.20.100.ERP	SK 40 ERP	AD/B	ER32 (2-20)		100	50	-	-	48	1,63
403.02.26.80.ERP	SK 40 ERP	AD/B	ER40 (3-26)		80	63	-	-	55	1,43
403.02.26.100.ERP	SK 40 ERP	AD/B	ER40 (3-26)		100	63	-	-	55	1,71

503.02.10.63.ERP	SK 50 ERP	AD/B	ER16 (1-10)		63	28	-	-	32	2,74
503.02.16.60.ERP	SK 50 ERP	AD/B	ER25 (2-16)		60	42	-	-	60	2,80
503.02.20.70.ERP	SK 50 ERP	AD/B	ER32 (2-20)		70	50	-	-	60	2,96
503.02.26.80.ERP	SK 50 ERP	AD/B	ER40 (3-26)		80	63	-	-	55	3,46

Präzisionskraftspannfutter EKS



DOPPELKONTAKT
DOUBLE CONTACT
DIN ISO 7388-1
SK ER-PLUS

Precision milling chuck EKS

Mandrin de fraisage de précision EKS

Bestell-Nr. Order-No. Reference	SK	Form	Spannbereich Capacity Capacite	d	A	D	D1	L1	L2	kg
403.03.20.90.N.ERP	SK 40 ERP	AD/B	EKS 20 (6-20)	20	90	48			80	1,53
403.03.20.130.N.ERP	SK 40 ERP	AD/B	EKS 20 (6-20)	20	130	48			80	2,06
403.03.32.100.N.ERP	SK 40 ERP	AD/B	EKS 32 (6-32)	32	100	68			80	2,28
403.03.32.130.N.ERP	SK 40 ERP	AD/B	EKS 32 (6-32)	32	130	68			80	2,81

503.03.20.70.N.ERP	SK 50 ERP	AD/B	EKS 20 (6-20)	20	70	48			80	3,19
503.03.20.130.N.ERP	SK 50 ERP	AD/B	EKS 20 (6-20)	20	130	48			80	3,85
503.03.32.95.N.ERP	SK 50 ERP	AD/B	EKS 32 (6-32)	32	95	68			80	3,95
503.03.32.130.N.ERP	SK 50 ERP	AD/B	EKS 32 (6-32)	32	130	68			80	4,81



Fräseraufnahmen WELDON

DOPELKONTAKT
DOUBLE CONTACT
DIN ISO 7388-1
SK-ER-PLUS

End mill holder WELDON

Porte-fraises WELDON

Bestell-Nr. Order-No. Reference	SK	Form	Spannbereich Capacity Capacite	d	A	D	D1	L1	L2	kg
302.04.06.50.ERP	SK 30 ERP	AD		6	50	25	-	-	36	0,46
302.04.08.50.ERP	SK 30 ERP	AD		8	50	28	-	-	40	0,49
302.04.10.50.ERP	SK 30 ERP	AD		10	50	35	-	-	44	0,55
302.04.12.50.ERP	SK 30 ERP	AD		12	50	42	-	-	51	0,62
302.04.16.63.ERP	SK 30 ERP	AD		16	63	48	-	-	54	0,82
302.04.20.70.ERP	SK 30 ERP	AD		20	70	52	-	-	56	0,91

403.04.06.50.ERP	SK 40 ERP	AD/B		6	50	25	-	-	36	0,90
403.04.06.100.ERP	SK 40 ERP	AD/B		6	100	25	-	-	36	1,07
403.04.08.50.ERP	SK 40 ERP	AD/B		8	50	28	-	-	40	0,93
403.04.08.100.ERP	SK 40 ERP	AD/B		8	100	28	-	-	40	1,15
403.04.10.50.ERP	SK 40 ERP	AD/B		10	50	35	-	-	44	0,98
403.04.10.100.ERP	SK 40 ERP	AD/B		10	100	35	-	-	44	1,31
403.04.12.50.ERP	SK 40 ERP	AD/B		12	50	42	-	-	51	1,05
403.04.12.100.ERP	SK 40 ERP	AD/B		12	100	42	-	-	51	1,55
403.04.16.63.ERP	SK 40 ERP	AD/B		16	63	48	-	-	54	1,28
403.04.16.100.ERP	SK 40 ERP	AD/B		16	100	48	-	-	54	1,77
403.04.20.63.ERP	SK 40 ERP	AD/B		20	63	52	-	-	56	1,30
403.04.20.100.ERP	SK 40 ERP	AD/B		20	100	52	-	-	56	1,88
403.04.25.100.ERP	SK 40 ERP	AD/B		25	100	63	-	-	64	2,25
403.04.32.100.ERP	SK 40 ERP	AD/B		32	100	72	-	-	68	2,54
403.04.40.120.ERP	SK 40 ERP	AD/B		40	120	80	-	-	78	3,42

Fräseraufnahmen WELDON



DOPPELKONTAKT
 DOUBLE CONTACT
 DIN ISO 7388-1
SK ER-PLUS

End mill holder WELDON

Porte-fraises WELDON

Bestell-Nr. Order-No. Reference	SK	Form	Spannbereich Capacity Capacite	d	A	D	D1	L1	L2	kg
503.04.06.63.ERP	SK 50 ERP	AD/B		6	63	25	-	-	36	2,75
503.04.08.63.ERP	SK 50 ERP	AD/B		8	63	28	-	-	40	2,79
503.04.10.63.ERP	SK 50 ERP	AD/B		10	63	35	-	-	44	2,87
503.04.12.63.ERP	SK 50 ERP	AD/B		12	63	42	-	-	51	2,99
503.04.16.63.ERP	SK 50 ERP	AD/B		16	63	48	-	-	54	3,08
503.04.20.63.ERP	SK 50 ERP	AD/B		20	63	52	-	-	56	3,13
503.04.25.80.ERP	SK 50 ERP	AD/B		25	80	63	-	-	64	3,73
503.04.32.100.ERP	SK 50 ERP	AD/B		32	100	72	-	-	68	4,61
503.04.40.100.ERP	SK 50 ERP	AD/B		40	100	80	-	-	78	4,82

Fräseraufnahmen mit Kühlkanal WELDON

End mill holder with coolant channel WELDON

Porte-fraises avec canal d'arrosage WELDON

Bestell-Nr. Order-No. Reference	SK	Form	Spannbereich Capacity Capacite	d	A	D	D1	L1	L2	kg
403.04.06.50.K.ERP	SK 40 ERP	AD/B		6	50	25	-	-	36	0,90
403.04.08.50.K.ERP	SK 40 ERP	AD/B		8	50	28	-	-	40	0,93
403.04.10.50.K.ERP	SK 40 ERP	AD/B		10	50	35	-	-	44	0,97
403.04.12.50.K.ERP	SK 40 ERP	AD/B		12	50	42	-	-	51	1,05
403.04.16.63.K.ERP	SK 40 ERP	AD/B		16	63	48	-	-	54	1,27
403.04.20.63.K.ERP	SK 40 ERP	AD/B		20	63	52	-	-	56	1,29
403.04.25.100.K.ERP	SK 40 ERP	AD/B		25	100	63	-	-	64	2,22
403.04.32.100.K.ERP	SK 40 ERP	AD/B		32	100	72	-	-	68	2,52



Kombi-Aufsteckfräserdorne

Combi shell mill holder

Porte-fraises à double usage pour fraises à entraînement par clavette ou tenon

DOPELCONTACT
DOUBLE CONTACT
DIN ISO 7388-1
SK-ER-PLUS

Bestell-Nr. Order-No. Reference	SK	Form	Spannbereich Capacity Capacite	d	A	D	D1	L1	L2	L3	L4	kg
302.10.16.50.ERP	SK 30 ERP	AD		16	50	32	-	-		17	27	0,60
302.10.22.50.ERP	SK 30 ERP	AD		22	50	40	-	-		19	31	0,74
302.10.27.55.ERP	SK 30 ERP	AD		27	55	48	-	-		21	33	0,94
302.10.32.60.ERP	SK 30 ERP	AD		32	60	58	-	-		24	38	1,22

403.10.16.55.ERP	SK 40 ERP	AD/B		16	55	32	-	-		17	27	1,05
403.10.16.100.ERP	SK 40 ERP	AD/B		16	100	32	-	-		17	27	1,32
403.10.22.55.ERP	SK 40 ERP	AD/B		22	55	40	-	-		19	31	1,19
403.10.22.100.ERP	SK 40 ERP	AD/B		22	100	40	-	-		19	31	1,59
403.10.27.55.ERP	SK 40 ERP	AD/B		27	55	48	-	-		21	33	1,39
403.10.27.100.ERP	SK 40 ERP	AD/B		27	100	48	-	-		21	33	1,98
403.10.32.60.ERP	SK 40 ERP	AD/B		32	60	58	-	-		24	38	1,69
403.10.32.100.ERP	SK 40 ERP	AD/B		32	100	58	-	-		24	38	2,48
403.10.40.60.ERP	SK 40 ERP	AD/B		40	60	70	-	-		27	41	2,08

503.10.16.55.ERP	SK 50 ERP	AD/B		16	55	32	-	-		17	27	2,86
503.10.16.100.ERP	SK 50 ERP	AD/B		16	100	32	-	-		17	27	3,13
503.10.22.55.ERP	SK 50 ERP	AD/B		22	55	40	-	-		19	31	3,00
503.10.22.100.ERP	SK 50 ERP	AD/B		22	100	40	-	-		19	31	3,40
503.10.27.55.ERP	SK 50 ERP	AD/B		27	55	48	-	-		21	33	3,20
503.10.27.100.ERP	SK 50 ERP	AD/B		27	100	48	-	-		21	33	3,79
503.10.32.55.ERP	SK 50 ERP	AD/B		32	55	58	-	-		24	38	3,50
503.10.32.100.ERP	SK 50 ERP	AD/B		32	100	58	-	-		24	38	4,39
503.10.40.55.ERP	SK 50 ERP	AD/B		40	55	70	-	-		27	41	3,97
503.10.40.100.ERP	SK 50 ERP	AD/B		40	100	70	-	-		27	41	5,29

Quernut-Aufsteckfräserdorne



DOPPELKONTAKT
 DOUBLE CONTACT
 DIN ISO 7388-1
SK ER-PLUS

Shell mill holder

Porte-fraises à surface

Bestell-Nr. Order-No. Reference	SK	Form	Spannbereich Capacity Capacite	d	A	D	D1	L1	L2	L3	kg
302.11.16.40.ERP	SK 30 ERP	AD		16	40	38	-	-		17	0,60
302.11.22.40.ERP	SK 30 ERP	AD		22	40	45	-	-		19	0,71
302.11.27.50.ERP	SK 30 ERP	AD		27	50	60	-	-		21	1,00
302.11.32.50.ERP	SK 30 ERP	AD		32	50	78	-	-		24	1,35

403.11.16.35.ERP	SK 40 ERP	AD/B		16	35	38	-	-		17	0,98
403.11.16.100.ERP	SK 40 ERP	AD/B		16	100	38	-	-		17	1,53
403.11.16.160.ERP	SK 40 ERP	AD/B		16	160	38	45,5	88		17	2,16
403.11.22.35.ERP	SK 40 ERP	AD/B		22	35	48	-	-		19	1,09
403.11.22.100.ERP	SK 40 ERP	AD/B		22	100	48	-	-		19	1,95
403.11.22.160.ERP	SK 40 ERP	AD/B		22	160	48	-	-		19	2,74
403.11.27.45.ERP	SK 40 ERP	AD/B		27	45	60	-	-		21	1,37
403.11.27.100.ERP	SK 40 ERP	AD/B		27	100	60	-	-		21	2,53
403.11.27.160.ERP	SK 40 ERP	AD/B		27	160	60	-	-		21	3,80
403.11.32.50.ERP	SK 40 ERP	AD/B		32	50	78	-	-		24	1,79
403.11.32.100.ERP	SK 40 ERP	AD/B		32	100	78	-	-		24	2,73
403.11.32.160.ERP	SK 40 ERP	AD/B		32	160	78	-	-		24	3,59
403.11.40.50.ERP	SK 40 ERP	AD/B		40	50	88	-	-		27	2,06



Quernut-Aufsteckfräserdorne

Shell mill holder

Porte-fraises à surface

DOPELKONTAKT
 DOUBLE CONTACT
 DIN ISO 7388-1
 SK-ER-PLUS

Bestell-Nr. Order-No. Reference	SK	Form	Spannbereich Capacity Capacite	d	A	D	D1	L1	L2	L3	kg
503.11.16.35.ERP	SK 50 ERP	AD/B		16	35	38	-	-		17	2,79
503.11.16.100.ERP	SK 50 ERP	AD/B		16	100	38	-	-		17	3,34
503.11.22.35.ERP	SK 50 ERP	AD/B		22	35	48	-	-		19	2,90
503.11.22.100.ERP	SK 50 ERP	AD/B		22	100	48	-	-		19	3,76
503.11.27.40.ERP	SK 50 ERP	AD/B		27	40	60	-	-		21	3,19
503.11.27.100.ERP	SK 50 ERP	AD/B		27	100	60	-	-		21	4,46
503.11.27.160.ERP	SK 50 ERP	AD/B		27	160	60	67,5	88		21	5,95
503.11.32.50.ERP	SK 50 ERP	AD/B		32	50	78	-	-		24	3,93
503.11.32.100.ERP	SK 50 ERP	AD/B		32	100	78	-	-		24	5,75
503.11.32.160.ERP	SK 50 ERP	AD/B		32	160	78	-	-		24	7,93
503.11.40.50.ERP	SK 50 ERP	AD/B		40	50	88	-	-		27	4,19
503.11.40.100.ERP	SK 50 ERP	AD/B		40	100	88	-	-		27	6,52
503.11.40.160.ERP	SK 50 ERP	AD/B		40	160	88	-	-		27	9,31

Fräseraufnahmen für Einschraubfräser

Milling cutter arbors for screw-on type milling cutters

Axes coupeur fraisage pour vis-sur type coupeurs de fraisage

Bestell-Nr. Order-No. Reference	SK	Form	Spannbereich Capacity Capacite	d	A	D	D1	L	L2	L3	kg
403.12.12.44.ERP	SK 40 ERP	AD/B	M12	12,5	44	21	24	25			0,84
403.12.12.94.ERP	SK 40 ERP	AD/B	M12	12,5	94	21	31	75			1,06
403.12.12.144.ERP	SK 40 ERP	AD/B	M12	12,5	144	21	35,5	125			1,37
403.12.16.44.ERP	SK 40 ERP	AD/B	M16	17	44	29	-	25			0,87
403.12.16.94.ERP	SK 40 ERP	AD/B	M16	17	94	29	34	75			1,18
403.12.16.144.ERP	SK 40 ERP	AD/B	M16	17	144	29	40	125			1,62



DOPPELKONTAKT
DOUBLE CONTACT
DIN ISO 7388-1
SK ER-PLUS

NC-Bohrfutter für Rechts- und Linkslauf

NC-Drill chuck for right and left rotation

Mandrin de perçage pour rotation gauche-droite

Bestell-Nr. Order-No. Reference	SK	Form	Spannbereich Capacity Capacite	d	A	D	D1	A1 Max.	L1	L2	kg
403.15.13.90.IK.ERP	SK 40 ERP	AD/B	1,0-13		90	50		98			1,61
403.15.16.95..IK.ERP	SK 40 ERP	AD/B	3,0-16		95	57		100			1,84

503.15.13.90.IK.ERP	SK 50 ERP	AD/B	1,0-13		90	50		98			3,47
503.15.16.95.IK.ERP	SK 50 ERP	AD/B	3,0-16		95	57		100			3,71

Rohlinge zur Anfertigung von Sonderwerkzeugen

Boring blanks for the production of special tools

Barre d'alesage pour la fabrication d'outils speciaux

Bestell-Nr. Order-No. Reference	SK	Form	Spannbereich Capacity Capacite	d	A	D	D1	L1	L2	kg
402.17.63.250.ERP	SK 40 ERP	A			250	63				6,29

502.17.97.315.ERP	SK 50 ERP	A			315	97				19,40
-------------------	-----------	---	--	--	-----	----	--	--	--	-------

Kontrolldorne

Test arbors

Mandrins de controle

Bestell-Nr. Order-No. Reference	SK	Form	Spannbereich Capacity Capacite	d	A	D	D1	L1	L2	kg
302.18.32.200.ERP	SK 30 ERP	A			200	32				1,41

402.18.40.300.ERP	SK 40 ERP	A			300	40				3,39
-------------------	-----------	---	--	--	-----	----	--	--	--	------

502.18.50.300.ERP	SK 50 ERP	A			300	50				6,33
-------------------	-----------	---	--	--	-----	----	--	--	--	------



DOPELCONTACT
DOUBLE CONTACT
DIN ISO 7388-1
SK ER-PLUS

Bohrerhalter für Wendepplattenbohrer E1

Boring holder for drill with indexable inserts form E1

Porte foret pour foret à plaquettes reversible forme E1

Bestell-Nr. Order-No. Reference	SK	Form	Spannbereich Capacity Capacite	d	A	D	D1	A1 Max.	L1	L2	kg
403.51.20.65.ERP	SK 40 ERP	AD/B		20	65	40				56	1,10
403.51.25.70.ERP	SK 40 ERP	AD/B		25	70	45				61,5	1,17
403.51.32.75.ERP	SK 50 ERP	AD/B		32	75	52				66,5	1,27
403.51.40.115.ERP	SK 50 ERP	AD/B		40	115	63				73	2,32



Shrink chucks

Mandrins de frettage

Bestell-Nr. Order-No. Reference	SK	Form	Spannbereich Capacity Capacite	d	A	D	D1	L1	L2	kg
302.25.03.80.ERP	SK 30 ERP	AD		3	80	10	16		14	0,44
302.25.04.80.ERP	SK 30 ERP	AD		4	80	12	20		17	0,47
302.25.05.80.ERP	SK 30 ERP	AD		5	80	12	21,5		20	0,47
302.25.06.80.ERP	SK 30 ERP	AD		6	80	21	27		36	0,59
302.25.08.80.ERP	SK 30 ERP	AD		8	80	21	27		36	0,58
302.25.10.80.ERP	SK 30 ERP	AD		10	80	24	32		42	0,65
302.25.12.80.ERP	SK 30 ERP	AD		12	80	24	32		47	0,63
302.25.16.80.ERP	SK 30 ERP	AD		16	80	27	34		50	0,66
302.25.20.80.ERP	SK 30 ERP	AD		20	80	33	42		52	0,76

403.25.03.80.ERP	SK 40 ERP	AD/B		3	80	10	16		14	0,85
403.25.03.120.ERP	SK 40 ERP	AD/B		3	120	10	16		14	0,91
403.25.04.80.ERP	SK 40 ERP	AD/B		4	80	12	20		17	0,88
403.25.04.120.ERP	SK 40 ERP	AD/B		4	120	12	20		17	0,98
403.25.05.80.ERP	SK 40 ERP	AD/B		5	80	12	21,5		20	0,89
403.25.05.120.ERP	SK 40 ERP	AD/B		5	120	12	22		20	1,00
403.25.06.80.ERP	SK 40 ERP	AD/B		6	80	21	27		36	1,03
403.25.06.120.ERP	SK 40 ERP	AD/B		6	120	21	27		36	1,19
403.25.06.160.ERP	SK 40 ERP	AD/B		6	160	21	27		36	1,35
403.25.08.80.ERP	SK 40 ERP	AD/B		8	80	21	27		36	1,02
403.25.08.120.ERP	SK 40 ERP	AD/B		8	120	21	27		36	1,18
403.25.08.160.ERP	SK 40 ERP	AD/B		8	160	21	27		36	1,35
403.25.10.80.ERP	SK 40 ERP	AD/B		10	80	24	32		42	1,09
403.25.10.120.ERP	SK 40 ERP	AD/B		10	120	24	32		42	1,32
403.25.10.160.ERP	SK 40 ERP	AD/B		10	160	24	32		42	1,56



Schrumpffutter

Shrink chucks

Mandrins de frettage

DOPELKONTAKT
DOUBLE CONTACT
DIN ISO 7388-1
SK-ER-PLUS

Bestell-Nr. Order-No. Reference	SK	Form	Spannbereich Capacity Capacite	d	A	D	D1	L1	L2	kg
403.25.12.80.ERP	SK 40 ERP	AD/B		12	80	24	32		47	1,06
403.25.12.120.ERP	SK 40 ERP	AD/B		12	120	24	32		47	1,27
403.25.12.160.ERP	SK 40 ERP	AD/B		12	160	24	32		47	1,49
403.25.16.80.ERP	SK 40 ERP	AD/B		16	80	27	34		50	1,08
403.25.16.120.ERP	SK 40 ERP	AD/B		16	120	27	34		50	1,33
403.25.16.160.ERP	SK 40 ERP	AD/B		16	160	27	34		50	1,58
403.25.20.80.ERP	SK 40 ERP	AD/B		20	80	33	42		52	1,20
403.25.20.120.ERP	SK 40 ERP	AD/B		20	120	33	42		52	1,60
403.25.20.160.ERP	SK 40 ERP	AD/B		20	160	33	42		52	1,99
403.25.25.100.ERP	SK 40 ERP	AD/B		25	100	44	53		58	1,75
403.25.32.100.ERP	SK 40 ERP	AD/B		32	100	44	53		62	1,59



Shrink chucks

Mandrins de frettage

Bestell-Nr. Order-No. Reference	SK	Form	Spannbereich Capacity Capacite	d	A	D	D1	L1	L2	kg
503.25.03.80.ERP	SK 50 ERP	AD/B		3	80	10	16		14	2,66
503.25.03.120.ERP *	SK 50 ERP	AD/B		3	120	10	16		14	2,72
503.25.04.80.ERP	SK 50 ERP	AD/B		4	80	12	20		17	2,69
503.25.04.120.ERP *	SK 50 ERP	AD/B		4	120	12	20		17	2,78
503.25.05.80.ERP	SK 50 ERP	AD/B		5	80	12	21,5		20	2,69
503.25.05.120.ERP *	SK 50 ERP	AD/B		5	120	12	22		20	2,80
503.25.06.80.ERP	SK 50 ERP	AD/B		6	80	21	27		36	2,84
503.25.06.120.ERP	SK 50 ERP	AD/B		6	120	21	27		36	3,00
503.25.06.160.ERP	SK 50 ERP	AD/B		6	160	21	27		36	3,16
503.25.08.80.ERP	SK 50 ERP	AD/B		8	80	21	27		36	2,83
503.25.08.120.ERP	SK 50 ERP	AD/B		8	120	21	27		36	2,99
503.25.08.160.ERP	SK 50 ERP	AD/B		8	160	21	27		36	3,16
503.25.10.80.ERP	SK 50 ERP	AD/B		10	80	24	32		42	2,89
503.25.10.120.ERP	SK 50 ERP	AD/B		10	120	24	32		42	3,13
503.25.10.160.ERP	SK 50 ERP	AD/B		10	160	24	32		42	3,36
503.25.12.80.ERP	SK 50 ERP	AD/B		12	80	24	32		47	2,86
503.25.12.120.ERP	SK 50 ERP	AD/B		12	120	24	32		47	3,07
503.25.12.160.ERP	SK 50 ERP	AD/B		12	160	24	32		47	3,29
503.25.16.80.ERP	SK 50 ERP	AD/B		16	80	27	34		50	2,89
503.25.16.120.ERP	SK 50 ERP	AD/B		16	120	27	34		50	3,13
503.25.16.160.ERP	SK 50 ERP	AD/B		16	160	27	34		50	3,38
503.25.20.80.ERP	SK 50 ERP	AD/B		20	80	33	42		52	3,00
503.25.20.120.ERP	SK 50 ERP	AD/B		20	120	33	42		52	3,40
503.25.20.160.ERP	SK 50 ERP	AD/B		20	160	33	42		52	3,80
503.25.25.100.ERP	SK 50 ERP	AD/B		25	100	44	53		58	3,59
503.25.32.100.ERP	SK 50 ERP	AD/B		32	100	44	53		62	3,43

* ohne Einstellschraube—without lengths adjusting screw—sans vis de réglage



DOPELCONTACT
DOUBLE CONTACT
DIN ISO 7388-1
SK-ER-PLUS

Hydro-Dehnspannfutter

Hydraulic expansion chucks

Mandrins expansibles hydraulique

Bestell-Nr. Order-No. Reference	SK	Form	Spannbereich Capacity Capacite	d	A	D	D1	L1	L2	kg
302.65.12.90.ERP	SK 30 ERP	AD		12	90	32	49,5	36	46	0,90
302.65.20.100.ERP	SK 30 ERP	AD		20	100	42	49,5	46	51	1,09

403.65.12.80.ERP	SK 40 ERP	AD/B		12	80	32	49,5	40	46	1,21
403.65.20.80.ERP	SK 40 ERP	AD/B		20	80	42	49,5	46	51	1,29
403.65.25.95.ERP	SK 40 ERP	AD/B		25	95	55	49,5	76	57	1,78
403.65.32.95.ERP	SK 40 ERP	AD/B		32	95	56	63	76	51	1,91

503.65.20.80.ERP	SK 50 ERP	AD/B		20	80	42	49,5	47	51	2,98
503.65.25.100.ERP	SK 50 ERP	AD/B		25	100	55	60	55	57	3,65
503.65.32.100.ERP	SK 50 ERP	AD/B		32	100	63	70	55	61	4,03

Hydro-Dehnspannfutter kurz-schwer

Hydraulic expansion chucks, short-heavy

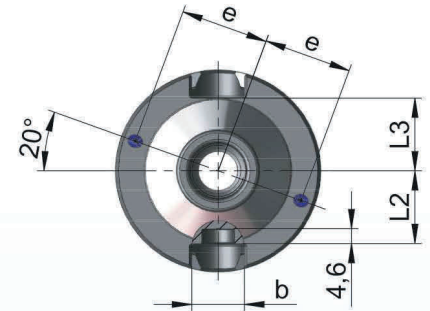
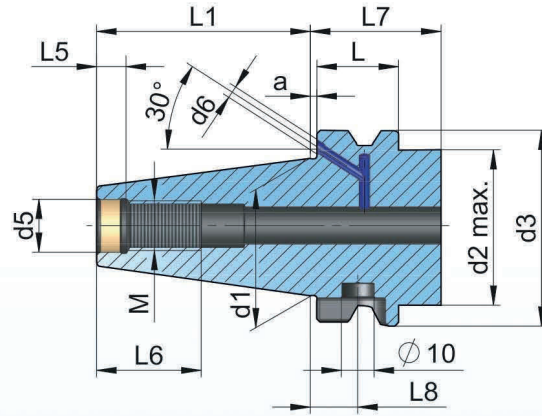
Mandrins expansibles hydraulique, court-lourd

Bestell-Nr. Order-No. Reference	SK	Form	Spannbereich Capacity Capacite	d	A	D	D1	L1	L2	kg
403.65.20.64.ERP	SK 40 ERP	AD/B		20	64,5	49,5			51	1,27

503.65.20.64.ERP	SK 50 ERP	AD/B		20	64,5	49,5			51	2,10
503.65.32.81.ERP	SK 50 ERP	AD/B		32	81	72			61	3,95

Toolholders BT ERPLUS

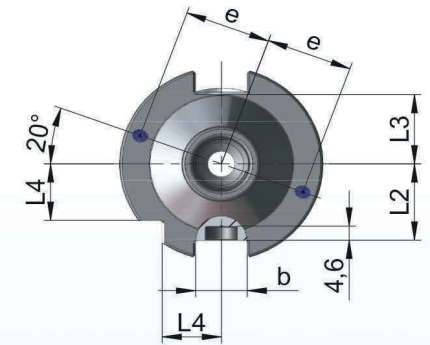
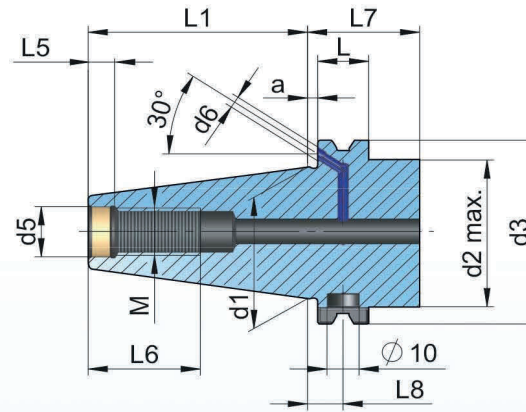
Merkezden ve
(B) Alından Soğutmalı
Konik Şaft Ölçüleri



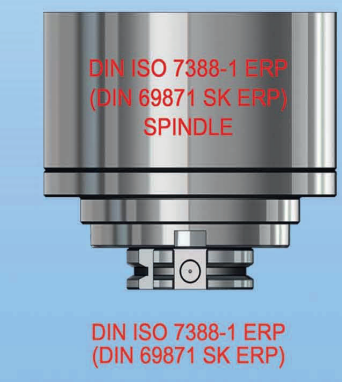
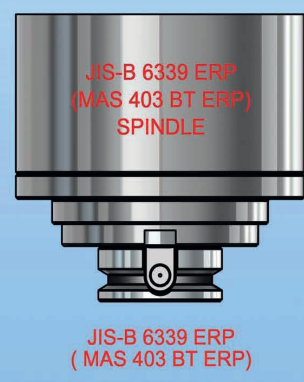
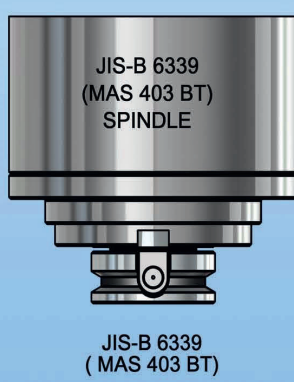
BT	FORM	d1	a	M	L6	d3	L	d2 max.	L7	L1	d5	L5	b	L2	L3	L8	d6	e
BT 30-ERP	AD	31,75	1,0	M12	27	46	21	45	30	48,4	12,5	7	16,1	16,3	16,3	11,0	-	-
BT 40-ERP	AD/B	44,45	1,0	M16	32	63	26	61	37	65,4	17,0	9	16,1	22,6	22,6	14,5	4	27
BT 50-ERP	AD/B	69,85	1,5	M24	47	100	36,5	98	50	101,8	25,0	13	25,7	35,4	35,4	20,5	6	42

Toolholders SK ERPLUS

Merkezden ve
(B) Alından Soğutmalı
Konik Şaft Ölçüleri



SK	FORM	d1	a	M	L6	d3	L	d2 max.	L7	L1	d5	L5	b	L2	L3	L4	L8	d6	e
SK 30-ERP	AD	31,75	1,0	M12	26	50,00	18,1	45	35	47,80	13	5,5	16,1	18,8	16,3	15,0	11,1	-	-
SK 40-ERP	AD/B	44,45	1,0	M16	32	63,55	18,1	50	35	68,40	17	8,2	16,1	25,0	22,7	18,5	11,1	4	27
SK 50-ERP	AD/B	69,85	1,5	M24	47	97,50	17,6	80	35	101,75	25	11,5	25,7	37,7	35,5	30,0	11,1	6	42





Spannfutter ER

Collet chucks ER

Mandrin à pinces ER

DOPPELKONTAKT
 DOUBLE CONTACT
 JIS B 6339 (MAS 403 BT)
 BT ER-PLUS

Bestell-Nr. Order-No. Reference	SK	Form	Spannbereich Capacity Capacite	d	A	D	D1	L1	L2	kg
305.02.10.70.ERP	BT 30 ERP	AD	ER16 (1-10)		70	28	-	-	32	0,54
305.02.10.100.ERP	BT 30 ERP	AD	ER16 (1-10)		100	28	-	-	32	0,67
305.02.16.70.ERP	BT 30 ERP	AD	ER25 (2-16)		70	42	-	-	42	0,66
305.02.16.100.ERP	BT 30 ERP	AD	ER25 (2-16)		100	42	-	-	42	0,97
305.02.20.70.ERP	BT 30 ERP	AD	ER32 (2-20)		70	50	-	-	48	0,66
305.02.20.100.ERP	BT 30 ERP	AD	ER32 (2-20)		100	50	-	-	48	0,94
305.02.26.70.ERP *	BT 30 ERP	AD	ER40 (3-26)		70	63	-	-	55	0,81

* ohne Datenträgerbohrung—without data-carrier boring—sans puce

406.02.10.63.ERP	BT 40 ERP	AD/B	ER16 (1-10)		63	28	-	-	32	1,06
406.02.10.100.ERP	BT 40 ERP	AD/B	ER16 (1-10)		100	28	-	-	32	1,20
406.02.10.130.ERP	BT 40 ERP	AD/B	ER16 (1-10)		130	28	-	-	32	1,32
406.02.10.160.ERP	BT 40 ERP	AD/B	ER16 (1-10)		160	28	31,5	98	32	1,46
406.02.10.200.ERP	BT 40 ERP	AD/B	ER16 (1-10)		200	28	33	120	32	1,66
406.02.13.70.ERP	BT 40 ERP	AD/B	ER20 (1-13)		70	34	-	-	44,5	1,13
406.02.13.100.ERP	BT 40 ERP	AD/B	ER20 (1-13)		100	34	-	-	39,5	1,32
406.02.13.130.ERP	BT 40 ERP	AD/B	ER20 (1-13)		130	34	-	-	39,5	1,50
406.02.13.160.ERP	BT 40 ERP	AD/B	ER20 (1-13)		160	34	37	99,5	39,5	1,72
406.02.16.60.ERP	BT 40 ERP	AD/B	ER25 (2-16)		60	42	-	-	42	1,09
406.02.16.100.ERP	BT 40 ERP	AD/B	ER25 (2-16)		100	42	-	-	42	1,49
406.02.16.130.ERP	BT 40 ERP	AD/B	ER25 (2-16)		130	42	-	-	42	1,79
406.02.16.160.ERP	BT 40 ERP	AD/B	ER25 (2-16)		160	42	45	100	42	2,12
406.02.16.200.ERP	BT 40 ERP	AD/B	ER25 (2-16)		200	42	47	122	42	2,56
406.02.20.70.ERP	BT 40 ERP	AD/B	ER32 (2-20)		70	50	-	-	48	1,24
406.02.20.100.ERP	BT 40 ERP	AD/B	ER32 (2-20)		100	50	-	-	48	1,68
406.02.20.130.ERP	BT 40 ERP	AD/B	ER32 (2-20)		130	50	-	-	48	2,12
406.02.20.160.ERP	BT 40 ERP	AD/B	ER32 (2-20)		160	50	53,5	101	48	2,58
406.02.20.200.ERP	BT 40 ERP	AD/B	ER32 (2-20)		200	50	55	123	48	3,21
406.02.26.80.ERP	BT 40 ERP	AD/B	ER40 (3-26)		80	63	-	-	55	1,61
406.02.26.100.ERP	BT 40 ERP	AD/B	ER40 (3-26)		100	63	-	-	55	2,07
406.02.26.130.ERP	BT 40 ERP	AD/B	ER40 (3-26)		130	63	-	-	55	2,78
406.02.26.160.ERP	BT 40 ERP	AD/B	ER40 (3-26)		160	63	-	-	55	3,48
406.02.26.200.ERP	BT 40 ERP	AD/B	ER40 (3-26)		200	63	-	-	55	4,42



Collet chucks ER

Mandrin à pinces ER

DOPPELKONTAKT
DOUBLE CONTACT
DIN ISO 7388-1
SK ER-PLUS

Bestell-Nr. Order-No. Reference	SK	Form	Spannbereich Capacity Capacite	d	A	D	D1	L1	L2	kg
506.02.10.70.ERP	BT 50 ERP	AD/B	ER16 (1-10)		70	28	-	-	32	3,68
506.02.10.100.ERP	BT 50 ERP	AD/B	ER16 (1-10)		100	28	-	-	32	3,80
506.02.10.160.ERP	BT 50 ERP	AD/B	ER16 (1-10)		160	28	33	71	32	4,08
506.02.10.200.ERP	BT 50 ERP	AD/B	ER16 (1-10)		200	28	34	98	32	4,28
506.02.13.70.ERP	BT 50 ERP	AD/B	ER20 (1-13)		70	34	-	-	39,5	3,73
506.02.13.100.ERP	BT 50 ERP	AD/B	ER20 (1-13)		100	34	-	-	39,5	3,90
506.02.13.160.ERP	BT 50 ERP	AD/B	ER20 (1-13)		160	34	39	99,5	39,5	4,29
506.02.16.70.ERP	BT 50 ERP	AD/B	ER25 (2-16)		70	42	-	-	50	3,71
506.02.16.100.ERP	BT 50 ERP	AD/B	ER25 (2-16)		100	42	-	-	42	4,02
506.02.16.160.ERP	BT 50 ERP	AD/B	ER25 (2-16)		160	42	47	73	42	4,68
506.02.16.200.ERP	BT 50 ERP	AD/B	ER25 (2-16)		200	42	48	100	42	5,14
506.02.20.70.ERP	BT 50 ERP	AD/B	ER32 (2-20)		70	50	-	-	48	3,73
506.02.20.100.ERP	BT 50 ERP	AD/B	ER32 (2-20)		100	50	-	-	48	4,16
506.02.20.160.ERP	BT 50 ERP	AD/B	ER32 (2-20)		160	50	55	74	48	5,12
506.02.20.200.ERP	BT 50 ERP	AD/B	ER32 (2-20)		200	50	55,5	101	48	5,75
506.02.26.80.ERP	BT 50 ERP	AD/B	ER40 (3-26)		80	63	-	-	55	4,00
506.02.26.100.ERP	BT 50 ERP	AD/B	ER40 (3-26)		100	63	-	-	55	4,47
506.02.26.160.ERP	BT 50 ERP	AD/B	ER40 (3-26)		160	63	67,5	76	55	5,97
506.02.26.200.ERP	BT 50 ERP	AD/B	ER40 (3-26)		200	63	68,5	103	55	6,99



Präzisionskraftspannfutter EKS

Precision milling chuck EKS

Mandrin de fraisage de précision EKS

DOPPELKONTAKT
DOUBLE CONTACT
JIS B 6339 (MAS 403 BT)
BT-ER-PLUS

Bestell-Nr. Order-No. Reference	SK	Form	Spannbereich Capacity Capacite	d	A	D	D1	L1	L2	kg
406.03.20.75.N.ERP	BT 40 ERP	AD/B	EKS 20 (6-20)	20	75	48			80	1,42
406.03.20.130.N.ERP	BT 40 ERP	AD/B	EKS 20 (6-20)	20	130	48			80	2,13
406.03.25.90.N.ERP	BT 40 ERP	AD/B	EKS 25 (6-25)	25	90	55			80	2,40
406.03.32.90.N.ERP *	BT 40 ERP	AD/B	EKS 32 (6-32)	32	90	68			80	2,01
406.03.32.130.N.ERP	BT 40 ERP	AD/B	EKS 32 (6-32)	32	130	68			80	3,10

* ohne Datenträgerbohrung—without data-carrier boring—sans puce

506.03.20.90.N.ERP	BT 50 ERP	AD/B	EKS 20 (6-20)	20	90	48			80	4,24
506.03.20.130.N.ERP	BT 50 ERP	AD/B	EKS 20 (6-20)	20	130	48			135	4,52
506.03.32.95.N.ERP	BT 50 ERP	AD/B	EKS 32 (6-32)	32	95	68			80	4,51
506.03.32.130.N.ERP	BT 50 ERP	AD/B	EKS 32 (6-32)	32	130	68			80	5,37



End mill holder WELDON

Porte-fraises WELDON

Bestell-Nr. Order-No. Reference	SK	Form	Spannbereich Capacity Capacite	d	A	D	D1	L1	L2	kg
305.04.06.50.ERP	BT 30 ERP	AD		6	50	25	-	-	36	0,46
305.04.08.50.ERP	BT 30 ERP	AD		8	50	28	-	-	40	0,49
305.04.10.50.ERP	BT 30 ERP	AD		10	50	35	-	-	44	0,54
305.04.12.50.ERP	BT 30 ERP	AD		12	50	42	-	-	51	0,60
305.04.16.63.ERP	BT 30 ERP	AD		16	63	48	-	-	54	0,81
305.04.20.63.ERP *	BT 30 ERP	AD		20	63	52	-	-	56	0,81

* ohne Datenträgerbohrung—without data-carrier boring—sans puce

406.04.06.50.ERP	BT 40 ERP	AD/B		6	50	25	-	-	36	1,03
406.04.06.100.ERP	BT 40 ERP	AD/B		6	100	25	-	-	36	1,20
406.04.06.130.ERP	BT 40 ERP	AD/B		6	130	25	-	-	36	1,30
406.04.06.160.ERP	BT 40 ERP	AD/B		6	160	25	29,5	88	36	1,44
406.04.06.200.ERP	BT 40 ERP	AD/B		6	200	25	30	120	36	1,60
406.04.08.50.ERP	BT 40 ERP	AD/B		8	50	28	-	-	40	1,05
406.04.08.100.ERP	BT 40 ERP	AD/B		8	100	28	-	-	40	1,27
406.04.08.130.ERP	BT 40 ERP	AD/B		8	130	28	-	-	40	1,40
406.04.08.160.ERP	BT 40 ERP	AD/B		8	160	28	32,5	88	40	1,57
406.04.08.200.ERP	BT 40 ERP	AD/B		8	200	28	33	120	40	1,77
406.04.10.63.ERP	BT 40 ERP	AD/B		10	63	35	-	-	44	1,17
406.04.10.100.ERP	BT 40 ERP	AD/B		10	100	35	-	-	44	1,41
406.04.10.130.ERP	BT 40 ERP	AD/B		10	130	35	-	-	44	1,61
406.04.10.160.ERP	BT 40 ERP	AD/B		10	160	35	39,5	88	44	1,86
406.04.10.200.ERP	BT 40 ERP	AD/B		10	200	35	40,5	120	44	2,14



Fräseraufnahmen WELDON

End mill holder WELDON

Porte-fraises WELDON

DOPPELKONTAKT
DOUBLE CONTACT
JIS B 6339 (MAS 403 BT)
BT-ER-PLUS

Bestell-Nr. Order-No. Reference	SK	Form	Spannbereich Capacity Capacite	d	A	D	D1	L1	L2	kg
406.04.12.63.ERP	BT 40 ERP	AD/B		12	63	42	-	-	51	1,26
406.04.12.100.ERP	BT 40 ERP	AD/B		12	100	42	-	-	51	1,62
406.04.12.130.ERP	BT 40 ERP	AD/B		12	130	42	-	-	51	1,92
406.04.12.160.ERP	BT 40 ERP	AD/B		12	160	42	46,5	88	51	2,28
406.04.12.200.ERP	BT 40 ERP	AD/B		12	200	42	47,5	120	51	2,70
406.04.14.63.ERP	BT 40 ERP	AD/B		14	63	44	-	-	51	1,28
406.04.16.63.ERP	BT 40 ERP	AD/B		16	63	48	-	-	54	1,33
406.04.16.100.ERP	BT 40 ERP	AD/B		16	100	48	-	-	54	1,82
406.04.16.130.ERP	BT 40 ERP	AD/B		16	130	48	-	-	54	2,22
406.04.16.160.ERP	BT 40 ERP	AD/B		16	160	48	52,5	88	54	2,68
406.04.16.200.ERP	BT 40 ERP	AD/B		16	200	48	53,5	120	54	3,23
406.04.20.63.ERP	BT 40 ERP	AD/B		20	63	52	-	-	56	1,36
406.04.20.100.ERP	BT 40 ERP	AD/B		20	100	52	-	-	56	1,94
406.04.20.130.ERP	BT 40 ERP	AD/B		20	130	52	-	-	56	2,41
406.04.20.160.ERP	BT 40 ERP	AD/B		20	160	52	57	88	56	2,95
406.04.20.200.ERP	BT 40 ERP	AD/B		20	200	52	57,5	120	56	3,60
406.04.25.90.ERP	BT 40 ERP	AD/B		25	90	63	-	-	64	2,11
406.04.25.160.ERP	BT 40 ERP	AD/B		25	160	63	-	-	64	3,75
406.04.32.100.ERP	BT 40 ERP	AD/B		32	100	72	-	-	68	2,64
406.04.32.160.ERP	BT 40 ERP	AD/B		32	160	72	-	-	68	4,48
406.04.40.120.ERP	BT 40 ERP	AD/B		40	120	80	-	-	78	3,48

Fräseraufnahmen WELDON



End mill holder WELDON

Porte-fraises WELDON

DOPPELKONTAKT
DOUBLE CONTACT
JIS B 6339 (MAS 403 BT)
BT ER-PLUS

Bestell-Nr. Order-No. Reference	SK	Form	Spannbereich Capacity Capacite	d	A	D	D1	L1	L2	kg
506.04.06.63.ERP	BT 50 ERP	AD/B		6	63	25	-	-	36	3,69
506.04.06.100.ERP	BT 50 ERP	AD/B		6	100	25	-	-	36	3,81
506.04.06.160.ERP	BT 50 ERP	AD/B		6	160	25	28,5	88	36	4,04
506.04.08.63.ERP	BT 50 ERP	AD/B		8	63	28	-	-	40	3,71
506.04.08.100.ERP	BT 50 ERP	AD/B		8	100	28	-	-	40	3,87
506.04.08.160.ERP	BT 50 ERP	AD/B		8	160	28	31,5	88	40	4,15
506.04.10.63.ERP	BT 50 ERP	AD/B		10	63	35	-	-	44	3,73
506.04.10.100.ERP	BT 50 ERP	AD/B		10	100	35	-	-	44	3,97
506.04.10.160.ERP	BT 50 ERP	AD/B		10	160	35	38,5	88	44	4,40
506.04.12.80.ERP	BT 50 ERP	AD/B		12	80	42	-	-	51	3,95
506.04.12.100.ERP	BT 50 ERP	AD/B		12	100	42	-	-	51	4,15
506.04.12.160.ERP	BT 50 ERP	AD/B		12	160	42	45,5	88	51	4,78
506.04.16.80.ERP	BT 50 ERP	AD/B		16	80	48	-	-	54	4,05
506.04.16.100.ERP	BT 50 ERP	AD/B		16	100	48	-	-	54	4,31
506.04.16.160.ERP	BT 50 ERP	AD/B		16	160	48	51,5	88	54	5,14
506.04.20.80.ERP	BT 50 ERP	AD/B		20	80	52	-	-	56	4,09
506.04.20.100.ERP	BT 50 ERP	AD/B		20	100	52	-	-	56	4,40
506.04.20.160.ERP	BT 50 ERP	AD/B		20	160	52	55,5	88	56	5,38
506.04.25.100.ERP	BT 50 ERP	AD/B		25	100	63	-	-	64	4,74
506.04.25.160.ERP	BT 50 ERP	AD/B		25	160	63	66,5	88	64	6,20
506.04.32.105.ERP	BT 50 ERP	AD/B		32	105	72	-	-	68	5,17
506.04.32.160.ERP	BT 50 ERP	AD/B		32	160	72	-	-	68	6,87
506.04.40.110.ERP	BT 50 ERP	AD/B		40	110	80	-	-	78	5,48



Fräseraufnahmen mit Kühlkanal WELDON

End mill holder with coolant channel WELDON

Porte-fraises avec canal d'arrosage WELDON

DOPPELKONTAKT
DOUBLE CONTACT
JIS B 6339 (MAS 403 BT)
BT-ER-PLUS

Bestell-Nr. Order-No. Reference	SK	Form	Spannbereich Capacity Capacite	d	A	D	D1	L1	L2	kg
406.04.06.50.K.ERP	BT 40 ERP	AD/B		6	50	25	-	-	36	1,03
406.04.06.100.K.ERP	BT 40 ERP	AD/B		6	100	25	-	-	36	1,20
406.04.08.50.K.ERP	BT 40 ERP	AD/B		8	50	28	-	-	40	1,05
406.04.08.100.K.ERP	BT 40 ERP	AD/B		8	100	28	-	-	40	1,27
406.04.10.63.K.ERP	BT 40 ERP	AD/B		10	63	35	-	-	44	1,16
406.04.10.100.K.ERP	BT 40 ERP	AD/B		10	100	35	-	-	44	1,41
406.04.12.63.K.ERP	BT 40 ERP	AD/B		12	63	42	-	-	51	1,25
406.04.12.100.K.ERP	BT 40 ERP	AD/B		12	100	42	-	-	51	1,62
406.04.14.63.K.ERP	BT 40 ERP	AD/B		14	63	44	-	-	51	1,27
406.04.14.100.K.ERP	BT 40 ERP	AD/B		14	100	44	-	-	51	1,68
406.04.16.63.K.ERP	BT 40 ERP	AD/B		16	63	48	-	-	54	1,32
406.04.16.100.K.ERP	BT 40 ERP	AD/B		16	100	48	-	-	54	1,81
406.04.18.63.K.ERP	BT 40 ERP	AD/B		18	63	50	-	-	54	1,34
406.04.18.100.K.ERP	BT 40 ERP	AD/B		18	100	50	-	-	54	1,87
406.04.20.63.K.ERP	BT 40 ERP	AD/B		20	63	52	-	-	56	1,35
406.04.20.100.K.ERP	BT 40 ERP	AD/B		20	100	52	-	-	56	1,92
406.04.25.90.K.ERP	BT 40 ERP	AD/B		25	90	63	-	-	64	2,09
406.04.32.100.K.ERP	BT 40 ERP	AD/B		32	100	72	-	-	68	2,62



DOPPELKONTAKT
DOUBLE CONTACT
JIS B 6339 (MAS 403 BT)
BT ER-PLUS

Zwischenhülsen für Morsekegel mit Austreibblappen

Morse taper adapter

Douilles intermédiaires pour porte outils à cone morse

Bestell-Nr. Order-No. Reference	SK	Form	Spannbereich Capacity Capacite	d	A	D	D1	L1	L2	kg
405.07.01.50.ERP	BT 40 ERP	AD	MK1		50	25				1,00
405.07.02.50.ERP	BT 40 ERP	AD	MK2		50	32				0,99
405.07.03.70.ERP	BT 40 ERP	AD	MK3		70	40				1,11
405.07.04.95.ERP	BT 40 ERP	AD	MK4		95	48				1,32

Zwischenhülsen für Morsekegel mit Anzugsgewinde

Morse taper adapter with drawbar thread

Douilles intermédiaires pour porte outils à cone morse

Bestell-Nr. Order-No. Reference	SK	Form	Spannbereich Capacity Capacite	d	A	D	D1	L1	L2	kg
405.08.01.50.ERP	BT 40 ERP	AD	MK1		50	25				1,04
405.08.02.50.ERP	BT 40 ERP	AD	MK2		50	32				1,04
405.08.03.70.ERP	BT 40 ERP	AD	MK3		70	40				1,18
405.08.04.95.ERP	BT 40 ERP	AD	MK4		95	48				1,45



Kombi-Aufsteckfräserdorne

Combi shell mill holder

Porte-fraises à double usage pour fraises à entraînement par clavette ou tenon

DOPPELKONTAKT
 DOUBLE CONTACT
 JIS B 6339 (MAS 403 BT)
BT-ER-PLUS

Bestell-Nr. Order-No. Reference	SK	Form	Spannbereich Capacity Capacite	d	A	D	D1	L1	L2	L3	L4	kg
305.10.16.45.ERP	BT 30 ERP	AD		16	45	32	-	-		17	27	0,56
305.10.22.47.ERP	BT 30 ERP	AD		22	47	40	-	-		19	31	0,70
305.10.27.49.ERP	BT 30 ERP	AD		27	49	48	-	-		21	33	0,87
305.10.32.52.ERP	BT 30 ERP	AD		32	52	58	-	-		24	38	1,12

406.10.16.55.ERP	BT 40 ERP	AD/B		16	55	32	-	-		17	27	1,16
406.10.16.100.ERP	BT 40 ERP	AD/B		16	100	32	-	-		17	27	1,42
406.10.22.55.ERP	BTT 40 ERP	AD/B		22	55	40	-	-		19	31	1,27
406.10.22.100.ERP	BT 40 ERP	AD/B		22	100	40	-	-		19	31	1,67
406.10.27.55.ERP	BT 40 ERP	AD/B		27	55	48	-	-		21	33	1,43
406.10.27.100.ERP	BT 40 ERP	AD/B		27	100	48	-	-		21	33	2,03
406.10.32.60.ERP	BT 40 ERP	AD/B		32	60	58	-	-		24	38	1,77
406.10.32.100.ERP	BT 40 ERP	AD/B		32	100	58	-	-		24	38	2,57
406.10.40.60.ERP	BT 40 ERP	AD/B		40	60	70	-	-		27	41	2,16

506.10.16.70.ERP	BT 50 ERP	AD/B		16	70	32	-	-		17	27	3,83
506.10.16.100.ERP	BT 50 ERP	AD/B		16	100	32	-	-		17	27	4,01
506.10.22.70.ERP	BT 50 ERP	AD/B		22	70	40	-	-		19	31	3,95
506.10.22.100.ERP	BT 50 ERP	AD/B		22	100	40	-	-		19	31	4,22
506.10.27.70.ERP	BT 50 ERP	AD/B		27	70	48	-	-		21	33	4,13
506.10.27.100.ERP	BT 50 ERP	AD/B		27	100	48	-	-		21	33	4,52
506.10.32.70.ERP	BT 50 ERP	AD/B		32	70	58	-	-		24	38	4,39
506.10.32.100.ERP	BT 50 ERP	AD/B		32	100	58	-	-		24	38	4,99
506.10.40.70.ERP	BT 50 ERP	AD/B		40	70	70	-	-		27	41	4,88
506.10.40.100.ERP	BT 50 ERP	AD/B		40	100	70	-	-		27	41	5,72

Quernut-Aufsteckfräserdorne



Shell mill holder

Porte-fraises à surface

DOPPELKONTAKT
DOUBLE CONTACT
JIS B 6339 (MAS 403 BT)
BT ER-PLUS

Bestell-Nr. Order-No. Reference	SK	Form	Spannbereich Capacity Capacite	d	A	D	D1	L1	L2	L3	kg
305.11.16.40.ERP	BT 30 ERP	AD		16	40	38	-	-		17	0,58
305.11.22.40.ERP	BT 30 ERP	AD		22	40	48	-	-		19	0,70
305.11.27.50.ERP	BT 30 ERP	AD		27	50	60	-	-		21	1,06
305.11.32.50.ERP	BT 30 ERP	AD		32	50	78	-	-		24	1,46

406.11.16.40.ERP	BT 40 ERP	AD/B		16	40	38	-	-		17	1,11
406.11.16.100.ERP	BT 40 ERP	AD/B		16	100	38	-	-		17	1,62
406.11.16.130.ERP	BT 40 ERP	AD/B		16	130	38	-	-		17	1,89
406.11.16.160.ERP	BT 40 ERP	AD/B		16	160	38	44	88		17	2,22
406.11.16.200.ERP	BT 40 ERP	AD/B		16	200	38	45	120		17	2,68
406.11.22.40.ERP	BT 40 ERP	AD/B		22	40	48	-	-		19	1,21
406.11.22.100.ERP	BT 40 ERP	AD/B		22	100	48	-	-		19	2,00
406.11.22.130.ERP	BT 40 ERP	AD/B		22	130	48	-	-		19	2,40
406.11.22.160.ERP	BT 40 ERP	AD/B		22	160	48	54,5	88		19	2,92
406.11.22.200.ERP	BT 40 ERP	AD/B		22	200	48	55,5	120		19	3,66
406.11.27.40.ERP	BT 40 ERP	AD/B		27	40	60	-	-		21	1,36
406.11.27.100.ERP	BT 40 ERP	AD/B		27	100	60	-	-		21	2,63
406.11.27.130.ERP	BT 40 ERP	AD/B		27	130	60	-	-		21	3,27
406.11.27.160.ERP	BT 40 ERP	AD/B		27	160	60	-	-		21	3,90
406.11.27.200.ERP	BT 40 ERP	AD/B		27	200	60	-	-		21	4,93
406.11.32.50.ERP	BT 40 ERP	AD/B		32	50	78	-	-		24	1,87
406.11.32.100.ERP	BT 40 ERP	AD/B		32	100	78	-	-		24	3,68
406.11.32.130.ERP	BT 40 ERP	AD/B		32	130	78	-	-		24	4,77
406.11.32.160.ERP	BT 40 ERP	AD/B		32	160	78	-	-		24	5,86
406.11.32.200.ERP	BT 40 ERP	AD/B		32	200	78	-	-		24	7,50
406.11.40.50.ERP	BT 40 ERP	AD/B		40	50	88	-	-		27	2,07



Quernut-Aufsteckfräserdorne

Shell mill holder

Porte-fraises à surface

DOPPELCONTACT
 DOUBLE CONTACT
 JIS B 6339 (MAS 403 BT)
BT-ER-PLUS

Bestell-Nr. Order-No. Reference	SK	Form	Spannbereich Capacity Capacite	d	A	D	D1	L1	L2	L3	kg
506.11.16.50.ERP	BT 50 ERP	AD/B		16	50	38	-	-		17	3,75
506.11.16.100.ERP	BT 50 ERP	AD/B		16	100	38	-	-		17	4,17
506.11.16.130.ERP	BT 50 ERP	AD/B		16	130	38	-	-		17	4,44
506.11.16.160.ERP	BT 50 ERP	AD/B		16	160	38	42,5	88		17	4,76
506.11.16.200.ERP	BT 50 ERP	AD/B		16	200	38	43	120		17	5,26
506.11.22.55.ERP	BT 50 ERP	AD/B		22	55	48	-	-		19	3,90
506.11.22.100.ERP	BT 50 ERP	AD/B		22	100	48	-	-		19	4,49
506.11.22.130.ERP	BT 50 ERP	AD/B		22	130	48	-	-		19	4,91
506.11.22.160.ERP	BT 50 ERP	AD/B		22	160	48	53	88		19	5,39
506.11.22.200.ERP	BT 50 ERP	AD/B		22	200	48	53	120		19	6,19
506.11.27.55.ERP	BT 50 ERP	AD/B		27	55	60	-	-		21	4,09
506.11.27.100.ERP	BT 50 ERP	AD/B		27	100	60	-	-		21	5,04
506.11.27.130.ERP	BT 50 ERP	AD/B		27	130	60	-	-		21	5,70
506.11.27.160.ERP	BT 50 ERP	AD/B		27	160	60	65	88		21	6,45
506.11.27.200.ERP	BT 50 ERP	AD/B		27	200	60	65,5	120		21	7,59
506.11.32.55.ERP	BT 50 ERP	AD/B		32	55	78	-	-		24	4,44
506.11.32.100.ERP	BT 50 ERP	AD/B		32	100	78	-	-		24	6,07
506.11.32.130.ERP	BT 50 ERP	AD/B		32	130	78	-	-		24	7,16
506.11.32.160.ERP	BT 50 ERP	AD/B		32	160	78	84	88		24	8,42
506.11.32.200.ERP	BT 50 ERP	AD/B		32	200	78	84,5	120		24	10,14
506.11.40.55.ERP	BT 50 ERP	AD/B		40	55	88	-	-		27	4,68
506.11.40.100.ERP	BT 50 ERP	AD/B		40	100	88	-	-		27	6,77
506.11.40.130.ERP	BT 50 ERP	AD/B		40	130	88	-	-		27	8,33

Fräseraufnahmen für Einschraubfräser



Milling cutter arbors for screw-in-type milling cutters

Axes coupeur fraisage pour vis-sur-type coupeurs de fraisage

DOPPELKONTAKT
DOUBLE CONTACT
DIN ISO 7388-1
SK ER-PLUS

Bestell-Nr. Order-No. Reference	SK	Form	M	d	A	D	D1	L	L2	L3	L4	kg
406.12.08.52.ERP	BT 40 ERP	AD/B	M8	8,5	52	13	15	25				0,96
406.12.08.77.ERP	BT 40 ERP	AD/B	M8	8,5	77	13	22,5	50				1,02
406.12.08.102.ERP	BT 40 ERP	AD/B	M8	8,5	102	13	23	75				1,07
406.12.10.52.ERP	BT 40 ERP	AD/B	M10	10,5	52	18	20	25				0,98
406.12.10.77.ERP	BT 40 ERP	AD/B	M10	10,5	77	18	23	50				1,05
406.12.10.102.ERP	BT 40 ERP	AD/B	M10	10,5	102	18	28	75				1,16
406.12.10.127.ERP	BT 40 ERP	AD/B	M10	10,5	127	18	32	100				1,29
406.12.12.32.ERP	BT 40 ERP	AD/B	M12	12,5	32	21	-	5				0,96
406.12.12.52.ERP	BT 40 ERP	AD/B	M12	12,5	52	21	24	25				1,00
406.12.12.77.ERP	BT 40 ERP	AD/B	M12	12,5	77	21	24	50				1,06
406.12.12.102.ERP	BT 40 ERP	AD/B	M12	12,5	102	21	31	75				1,21
406.12.12.127.ERP	BT 40 ERP	AD/B	M12	12,5	127	21	32,5	100				1,35
406.12.16.52.ERP	BT 40 ERP	AD/B	M16	17	52	29	-	25				1,03
406.12.16.77.ERP	BT 40 ERP	AD/B	M16	17	77	29	34	50				1,18
406.12.16.102.ERP	BT 40 ERP	AD/B	M16	17	102	29	34	75				1,33
406.12.16.127.ERP	BT 40 ERP	AD/B	M16	17	127	29	36	100				1,52



DOPPELKONTAKT
 DOUBLE CONTACT
 JIS B 6339 (MAS 403 BT)
BT-ER-PLUS

Bohrerhalter für Wendepplattenbohrer E1

Boring holder for drill with indexable inserts form E1

Porte foret pour foret à plaquettes reversible forme E1

Bestell-Nr. Order-No. Reference	SK	Form	d	A	D	D1	L1	L2	L3	L4	kg
406.51.20.72.ERP	BT 40 ERP	AD/B	20	72	40			54			1,24
406.51.25.76.ERP	BT 40 ERP	AD/B	25	76	45			62			1,31
406.51.32.80.ERP	BT 40 ERP	AD/B	32	80	52			67			1,38
406.51.40.100.ERP	BT 40 ERP	AD/B	40	100	63			73			1,78

506.51.20.90.ERP	BT 50 ERP	AD/B	20	90	40			54			3,80
506.51.25.90.ERP	BT 50 ERP	AD/B	25	90	45			59			3,85
506.51.32.90.ERP	BT 50 ERP	AD/B	32	90	52			70			3,91
506.51.40.100.ERP	BT 50 ERP	AD/B	40	100	63			80			4,04

NC-Bohrfutter für Rechts- und Linkslauf

NC-Drill chuck for right and left rotation

Mandrin de perçage pour rotation gauche-droite

Bestell-Nr. Order-No. Reference	SK	Form	Spannbereich Capacity Capacite	d	A	D	D1	A1 Max	L1	L2	kg
305.15.08.73.IK.ERP	BT 30 ERP	AD	0,5-8		73	36		76			0,70
305.15.13.100.IK.ERP	BT 30 ERP	AD	1,0-13		100	50		108			1,29

406.15.08.78.IK.ERP	BT 40 ERP	AD/B	0,5-8		78	36		81			1,27
406.15.13.98.IK.ERP	BT 40 ERP	AD/B	1,0-13		98	50		116			1,76
406.15.16.103.IK.ERP	BT 40 ERP	AD/B	3,0-16		103	57		108			2,00

506.15.13.110.IK.ERP	BT 50 ERP	AD/B	1,0-13		110	50		118			4,51
506.15.16.115.IK.ERP	BT 50 ERP	AD/B	3,0-16		115	57		120			4,75



DOPPELKONTAKT
DOUBLE CONTACT
JIS B 6339 (MAS 403 BT)
BT ER-PLUS

Gewindeschneid-Schnellwechselfutter mit Längenausgleich

Quick-change tapping chuck with length compensation

Mandrin de taraudage avec compensation longitudinale

Bestell-Nr. Order-No. Reference	SK	Form	Spannbereich Capacity Capacite	d	A	D	C	T	L1	L2	kg
405.16.12.67.ERP	BT 40 ERP	A	M2-M14	19	67	36,5	7	7			1,14
405.16.20.93.ERP	BT 40 ERP	A	M5-M24	31	93	53,5	12	12			1,65
405.16.36.136.ERP	BT 40 ERP	A	M14-M36	48	136	78	20	20			3,23

505.16.20.100.ERP	BT 50 ERP	A	M5-M24	31	100	53,5	12	12			4,14
505.16.36.142.ERP	BT 50 ERP	A	M14-M36	48	142	78	17,5	17,5			5,72

Rohlinge zur Anfertigung von Sonderwerkzeugen

Boring blanks for the production of special tools

Barre d'alesage pour la fabrication d'outils speciaux

Bestell-Nr. Order-No. Reference	SK	Form	Spannbereich Capacity Capacite	d	A	D	D1	L1	L2	kg
305.17.50.160.ERP	BT 30 ERP	A			160	50				2,31

405.17.63.250.ERP	BT 40 ERP	A			250	63				6,38
-------------------	-----------	---	--	--	-----	----	--	--	--	------

505.17.97.315.ERP	BT 50 ERP	A			315	97				19,61
-------------------	-----------	---	--	--	-----	----	--	--	--	-------

Kontrolldorne

Test arbors

Mandrins de controle

Bestell-Nr. Order-No. Reference	SK	Form	Spannbereich Capacity Capacite	d	A	D	D1	L1	L2	kg
305.18.32.200.ERP	BT 30 ERP	A			200	32				1,41

405.18.40.300.ERP	BT 40 ERP	A			300	40				3,38
-------------------	-----------	---	--	--	-----	----	--	--	--	------

505.18.50.300.ERP	BT 50 ERP	A			300	50				6,33
-------------------	-----------	---	--	--	-----	----	--	--	--	------



Schrumpffutter

Shrink chucks

Mandrins de frettage

DOPELKONTAKT
DOUBLE CONTACT
JIS B 6339 (MAS 403 BT)
BT-ER-PLUS

Bestell-Nr. Order-No. Reference	SK	Form	Spannbereich Capacity Capacite	d	A	D	D1	L1	L2	kg
305.25.03.80.ERP	BT 30 ERP	AD		3	80	10	16		14	0,44
305.25.04.80.ERP	BT 30 ERP	AD		4	80	12	20		17	0,47
305.25.05.80.ERP	BT 30 ERP	AD		5	80	12	21		20	0,47
305.25.06.80.ERP	BT 30 ERP	AD		6	80	21	27		36	0,59
305.25.08.80.ERP	BT 30 ERP	AD		8	80	21	27		36	0,58
305.25.10.80.ERP	BT 30 ERP	AD		10	80	24	32		42	0,64
305.25.12.80.ERP	BT 30 ERP	AD		12	80	24	32		47	0,62
305.25.16.80.ERP	BT 30 ERP	AD		16	80	27	34		50	0,64
305.25.20.80.ERP	BT 30 ERP	AD		20	80	33	42		52	0,74

406.25.03.90.ERP	BT 40 ERP	AD/B		3	90	10	16		14	1,05
406.25.03.120.ERP *	BT 40 ERP	AD/B		3	120	10	16		14	1,06
406.25.03.160.ERP *	BT 40 ERP	AD/B		3	160	10	16		14	1,11
406.25.04.90.ERP	BT 40 ERP	AD/B		4	90	12	20		17	1,04
406.25.04.120.ERP *	BT 40 ERP	AD/B		4	120	12	20		17	1,12
406.25.04.160.ERP *	BT 40 ERP	AD/B		4	160	12	20		17	1,21
406.25.05.90.ERP	BT 40 ERP	AD/B		5	90	12	21,5		20	1,04
406.25.05.120.ERP *	BT 40 ERP	AD/B		5	120	12	22		20	1,13
406.25.05.160.ERP *	BT 40 ERP	AD/B		5	160	12	22		20	1,24
406.25.06.90.ERP	BT 40 ERP	AD/B		6	90	21	27		36	1,19
406.25.06.120.ERP	BT 40 ERP	AD/B		6	120	21	27		36	1,31
406.25.06.160.ERP	BT 40 ERP	AD/B		6	160	21	27		36	1,48
406.25.08.90.ERP	BT 40 ERP	AD/B		8	90	21	27		36	1,19
406.25.08.120.ERP	BT 40 ERP	AD/B		8	120	21	27		36	1,31
406.25.08.160.ERP	BT 40 ERP	AD/B		8	160	21	27		36	1,47

* Einstellschraube nicht enthalten / no adjusting screw included / ne comprend pas la vis de réglage



Shrink chucks

Mandrins de frettage

DOPPELKONTAKT
DOUBLE CONTACT
JIS B 6339 (MAS 403 BT)
BT ER-PLUS

Bestell-Nr. Order-No. Reference	SK	Form	Spannbereich Capacity Capacite	d	A	D	D1	L1	L2	kg
406.25.10.90.ERP	BT 40 ERP	AD/B		10	90	24	32		42	1,25
406.25.10.120.ERP	BT 40 ERP	AD/B		10	120	24	32		42	1,43
406.25.10.160.ERP	BT 40 ERP	AD/B		10	160	24	32		42	1,66
406.25.12.90.ERP	BT 40 ERP	AD/B		12	90	24	32		47	1,22
406.25.12.120.ERP	BT 40 ERP	AD/B		12	120	24	32		47	1,38
406.25.12.160.ERP	BT 40 ERP	AD/B		12	160	24	32		47	1,60
406.25.16.90.ERP	BT 40 ERP	AD/B		16	90	27	34		50	1,25
406.25.16.120.ERP	BT 40 ERP	AD/B		16	120	27	34		50	1,43
406.25.16.160.ERP	BT 40 ERP	AD/B		16	160	27	34		50	1,69
406.25.20.90.ERP	BT 40 ERP	AD/B		20	90	33	42		52	1,37
406.25.20.120.ERP	BT 40 ERP	AD/B		20	120	33	42		52	1,67
406.25.20.160.ERP	BT 40 ERP	AD/B		20	160	33	42		52	2,07
406.25.25.90.ERP	BT 40 ERP	AD/B		25	90	44	53		58	1,65
406.25.25.120.ERP	BT 40 ERP	AD/B		25	120	44	53		58	2,14
406.25.25.160.ERP	BT 40 ERP	AD/B		25	160	44	53		58	2,80
406.25.32.90.ERP	BT 40 ERP	AD/B		32	90	44	53		62	1,49
406.25.32.120.ERP	BT 40 ERP	AD/B		32	120	44	53		62	1,98

506.25.03.100.ERP	BT 50 ERP	AD/B		3	100	10	16		14	3,64
506.25.04.100.ERP	BT 50 ERP	AD/B		4	100	12	20		17	3,68
506.25.05.100.ERP	BT 50 ERP	AD/B		5	100	12	21,5		20	3,68
506.25.06.100.ERP	BT 50 ERP	AD/B		6	100	21	27		36	3,84
506.25.06.120.ERP	BT 50 ERP	AD/B		6	120	21	27		36	3,92
506.25.06.160.ERP	BT 50 ERP	AD/B		6	160	21	27		36	4,08
506.25.06.200.ERP	BT 50 ERP	AD/B		6	200	21	27		36	4,24
506.25.08.100.ERP	BT 50 ERP	AD/B		8	100	21	27		36	3,83
506.25.08.120.ERP	BT 50 ERP	AD/B		8	120	21	27		36	3,91
506.25.08.160.ERP	BT 50 ERP	AD/B		8	160	21	27		36	4,07
506.25.08.200.ERP	BT 50 ERP	AD/B		8	200	21	27		36	4,23



Schrumpffutter

Shrink chucks

Mandrins de frettage

DOPPELKONTAKT
 DOUBLE CONTACT
 JIS B 6339 (MAS 403 BT)
 BT-ER-PLUS

Bestell-Nr. Order-No. Reference	SK	Form	Spannbereich Capacity Capacite	d	A	D	D1	L1	L2	kg
506.25.10.100.ERP	BT 50 ERP	AD/B		10	100	24	32		42	3,86
506.25.10.120.ERP	BT 50 ERP	AD/B		10	120	24	32		42	4,01
506.25.10.160.ERP	BT 50 ERP	AD/B		10	160	24	32		42	4,25
506.25.10.200.ERP	BT 50 ERP	AD/B		10	200	24	32		42	4,50
506.25.12.100.ERP	BT 50 ERP	AD/B		12	100	24	32		47	3,85
506.25.12.120.ERP	BT 50 ERP	AD/B		12	120	24	32		47	3,96
506.25.12.160.ERP	BT 50 ERP	AD/B		12	160	24	32		47	4,18
506.25.12.200.ERP	BT 50 ERP	AD/B		12	200	24	32		47	4,39
506.25.16.100.ERP	BT 50 ERP	AD/B		16	100	27	34		50	3,88
506.25.16.120.ERP	BT 50 ERP	AD/B		16	120	27	34		50	4,00
506.25.16.160.ERP	BT 50 ERP	AD/B		16	160	27	34		50	4,25
506.25.16.200.ERP	BT 50 ERP	AD/B		16	200	27	34		50	4,50
506.25.20.100.ERP	BT 50 ERP	AD/B		20	100	33	42		52	4,00
506.25.20.120.ERP	BT 50 ERP	AD/B		20	120	33	42		52	4,20
506.25.20.160.ERP	BT 50 ERP	AD/B		20	160	33	42		52	4,60
506.25.20.200.ERP	BT 50 ERP	AD/B		20	200	33	42		52	5,03
506.25.25.110.ERP	BT 50 ERP	AD/B		25	110	44	53		58	4,44
506.25.25.120.ERP	BT 50 ERP	AD/B		25	120	44	53		58	4,60
506.25.25.160.ERP	BT 50 ERP	AD/B		25	160	44	53		58	5,25
506.25.25.200.ERP	BT 50 ERP	AD/B		25	200	44	53		58	5,91
506.25.32.110.ERP	BT 50 ERP	AD/B		32	110	44	53		62	4,27
506.25.32.120.ERP	BT 50 ERP	AD/B		32	120	44	53		62	4,43
506.25.32.160.ERP	BT 50 ERP	AD/B		32	160	44	53		62	5,09
506.25.32.200.ERP	BT 50 ERP	AD/B		32	200	44	53		62	5,75

Schrumpffutter, schlank



Shrink chucks, slim

Mandrins de frettage, mince

DOPPELKONTAKT
DOUBLE CONTACT
JIS B 6339 (MAS 403 BT)
BT ER-PLUS

Bestell-Nr. Order-No. Reference	SK	Form	Spannbereich Capacity Capacite	d	A	D	D1	L1	L2	kg
406.25.03.90.S.ERP	BT 40 ERP	AD/B		3	90	9	15		14	1,00
406.25.03.120.S.ERP *	BT 40 ERP	AD/B		3	120	9	18		14	1,04
406.25.04.90.S.ERP	BT 40 ERP	AD/B		4	90	10	16		17	1,00
406.25.04.120.S.ERP *	BT 40 ERP	AD/B		4	120	10	19		17	1,06
406.25.05.90.S.ERP	BT 40 ERP	AD/B		5	90	11	17		20	1,01
406.25.05.120.S.ERP *	BT 40 ERP	AD/B		5	120	11	20		20	1,07
406.25.06.90.S.ERP	BT 40 ERP	AD/B		6	90	12	18		36	1,04
406.25.06.120.S.ERP	BT 40 ERP	AD/B		6	120	12	21		36	1,10
406.25.06.160.S.ERP	BT 40 ERP	AD/B		6	160	12	25		36	1,22
406.25.08.90.S.ERP	BT 40 ERP	AD/B		8	90	14	20		36	1,06
406.25.08.120.S.ERP	BT 40 ERP	AD/B		8	120	14	23		36	1,14
406.25.08.160.S.ERP	BT 40 ERP	AD/B		8	160	14	27		36	1,28
406.25.10.90.S.ERP	BT 40 ERP	AD/B		10	90	16	22		42	1,08
406.25.10.120.S.ERP	BT 40 ERP	AD/B		10	120	16	25		42	1,17
406.25.10.160.S.ERP	BT 40 ERP	AD/B		10	160	16	29		42	1,34
406.25.12.90.S.ERP	BT 40 ERP	AD/B		12	90	18	24		47	1,08
406.25.12.120.S.ERP	BT 40 ERP	AD/B		12	120	18	27		47	1,17
406.25.12.160.S.ERP	BT 40 ERP	AD/B		12	160	18	31		47	1,36

* Einstellschraube nicht enthalten / no adjusting screw included / ne comprend pas la vis de réglage



Hydro-Dehnspannfutter

Hydraulic expansion chucks

Mandrins expansibles hydraulique

DOPPELKONTAKT
 DOUBLE CONTACT
 JIS B 6339 (MAS 403 BT)
BT-ER-PLUS

Bestell-Nr. Order-No. Reference	SK	Form	Spannbereich Capacity Capacite	d	A	D	D1	L1	L2	kg
305.65.12.85.ERP	BT 30 ERP	AD		12	85	32	44,5	46	46	0,80
305.65.20.90.ERP	BT 30 ERP	AD		20	90	42	44,5	46	51	0,93

406.65.06.90.ERP	BT 40 ERP	AD/B		6	90	26	49,5	40	37	1,41
406.65.08.90.ERP	BT 40 ERP	AD/B		8	90	28	49,5	40	37	1,40
406.65.10.90.ERP	BT 40 ERP	AD/B		10	90	30	49,5	40	41	1,38
403.65.12.90.ERP	BT 40 ERP	AD/B		12	90	32	49,5	40	46	1,39
406.65.14.90.ERP	BT 40 ERP	AD/B		14	90	34	49,5	40	46	1,41
406.65.16.90.ERP	BT 40 ERP	AD/B		16	90	38	49,5	46	49	1,43
406.65.18.90.ERP	BT 40 ERP	AD/B		18	90	40	49,5	46	49	1,45
406.65.20.90.ERP	BT 40 ERP	AD/B		20	90	42	49,5	46	51	1,47
406.65.25.90.ERP	BT 40 ERP	AD/B		25	90	49,5	55	63	57	1,77
406.65.32.90.ERP	BT 40 ERP	AD/B		32	90	56	63	63	61	1,90

506.65.06.110.ERP	BT 50 ERP	AD/B		6	110	26	49,5	40	37	4,16
506.65.08.110.ERP	BT 50 ERP	AD/B		8	110	28	49,5	40	37	4,21
506.65.10.110.ERP	BT 50 ERP	AD/B		10	110	30	49,5	40	41	4,10
506.65.12.110.ERP	BT 50 ERP	AD/B		12	110	32	49,5	40	46	4,19
506.65.14.110.ERP	BT 50 ERP	AD/B		14	110	34	49,5	40	46	4,14
506.65.16.110.ERP	BT 50 ERP	AD/B		16	110	38	49,5	46	49	4,15
506.65.18.110.ERP	BT 50 ERP	AD/B		18	110	40	49,5	46	49	4,28
506.65.20.110.ERP	BT 50 ERP	AD/B		20	110	42	49,5	46	51	4,19
506.65.25.110.ERP	BT 50 ERP	AD/B		25	110	55	60	55	57	4,51
506.65.32.115.ERP	BT 50 ERP	AD/B		32	115	63	70	55	61	4,86

Hydro-Dehnspannfutter kurz-schwer

Hydraulic expansion chucks, short-heavy

Mandrins expansibles hydraulique, court-lourd



DOPPELKONTAKT
DOUBLE CONTACT
JIS B 6339 (MAS 403 BT)
BT ER-PLUS

Bestell-Nr. Order-No. Reference	SK	Form	Spannbereich Capacity Capacite	d	A	D	D1	L1	L2	kg
406.65.20.72.ERP	BT 40 ERP	AD/B		20	72,5	49,5			51	1,42

506.65.20.83.ERP	BT 50 ERP	AD/B		20	83	49,5			51	3,94
506.65.32.90.ERP	BT 50 ERP	AD/B		32	90	72			61	4,59



EROGLU®

Präzisionswerkzeuge

Hassas Tutucu Takım Sistemleri
Precision Tooling System



“ HI-TECH Produkte Direkt Vom Hersteller ”



info@eroglu.de - www.eroglu.de
info@eroglumakina.com - www.eroglumakina.com